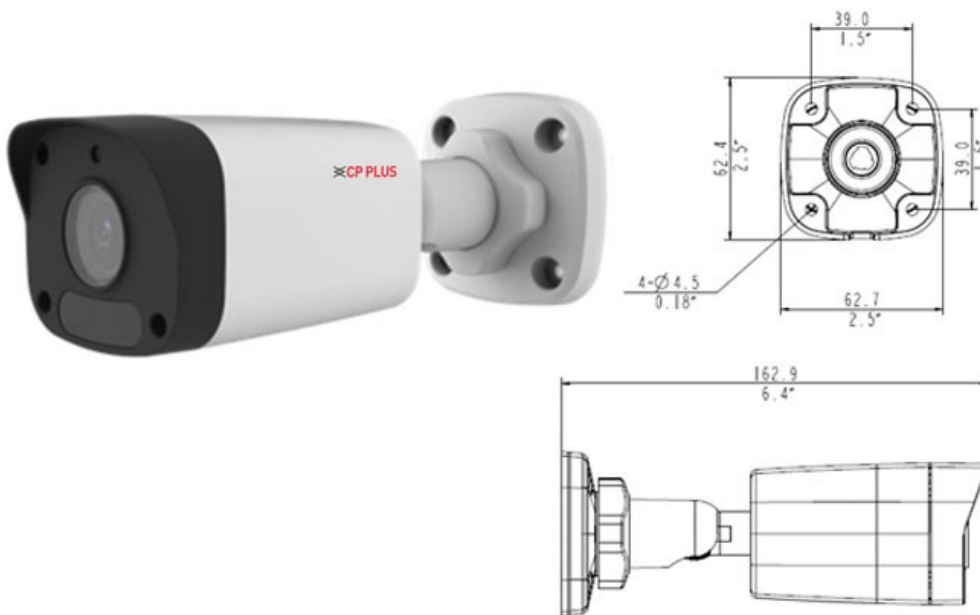


## CP-VNC-T41R3-D

4 MP Full HD WDR Array Bullet Camera - 30Mtr.



### Main Features

- 1/3" 4MP PS CMOS Image Sensor
- Max 20fps@4MP
- H.265/H.264/MJPEG Triple-stream Encoding
- WDR, Day/Night (ICR), Corridor mode, 2D/3D-DNR, ROI, AWB, AGC, BLC, HLC
- 4mm lens (6.0mm Optional)
- IR Range of 30 Mtrs, Smart IR, IP66, PoE
- Supports Instastream technology, save disk space and bandwidth upto 70%
- Mobile Software: Android, iOS
- CMS Software: IVMS



InstaStream



\*Product casing and specifications are subject to change without prior notice

# CP- VNC-T41R3-D

4 MP Full HD WDR Array Bullet Camera - 30Mtr.



## Feature

Image Sensor  
 Minimum Illumination  
 Shutter Speed  
 White Balance  
 Lens  
 Gain Control(AGC)  
 Video Compression  
 S/N Ratio  
 Video Streaming  
 Resolution  
 Frame Rate  
 Motion detection  
 Privacy Mask  
 ICR  
 ROI  
 WDR  
 Protocol  
 Ethernet  
 IR  
 OSD  
 Operating Temperature  
 Humidity  
 Power Source  
 Power Consumption  
 Weatherproof Standard  
 Dimension  
 Weight

## Specification

1/3" 4MP Progressive scan CMOS  
 Colour: 0.02 Lux (F1.8, AGC ON) 0 Lux with IR on  
 Auto/Manual, 1/6~1/100000 s  
 Auto/Manual  
 4mm Lens (6mm Optional)  
 Auto/Manual  
 H.265/H.264/MJPEG  
 >52dB  
 Triple  
 2592×1520  
 Max: 20 fps@4MP (2592×1520) , Max: 25 fps@4MP (2560×1440) , Max: 30 fps@3MP (2048×1520) , Max: 30 fps @1080P (1920×1080)  
 Up to 2 areas  
 Up to 8 areas  
 IR-cut filter with auto switch (ICR)  
 Supports  
 Supports  
 IPv4, IGMP, ICMP, ARP, TCP, UDP, L2TP, DHCP, PPPoE, RTP, RTSP, RTCP, DNS, DDNS, NTP, FTP, UPnP, HTTP, HTTPS, SMTP, 802.1x, ONVIF, API  
 1 RJ45 10M/100M Base-TX Ethernet  
 IR Range of 30 Mtr., Smart IR  
 Up to 8 OSDs  
 -35°C ~ +60°C (-31°F ~ 140°F)  
 ≤ 95% RH (non-condensing)  
 12 V DC, or PoE (IEEE802.3 af)  
 Max 5.0 W  
 IP66  
 162.9 × 62.4 × 62.7 mm (6.4" × 2.5" × 2.5")  
 0.25 kg